

GLASTONBURY TOR			8x32 R
1 2 S RA	1x3 S LA	S X_R T_L	
		 S & LINK	 T_R1¹/₂

Duncan Brown, 2001, RSCDS Book 47.11

3C/4C longwise set.

THE MONTGOMERIES' RANT			8x32 R
X_R X_L		 S	 S
		 S	 X_R


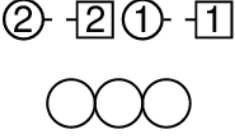
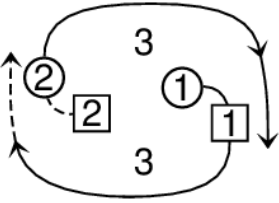

Castle Menzies, 1749, RSCDS Book 10.1

3C/4C longwise set.

THE DUNDEE DRAGON			8x32 R
X_R		 S	
 S		Dragon's Chains X_R T_L1¹/₂	 X_L T_R1¹/₂

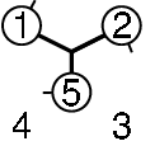
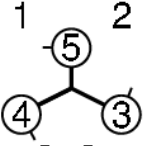


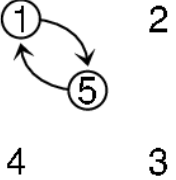
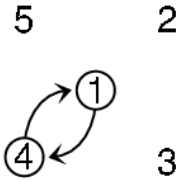
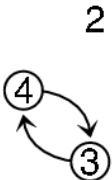
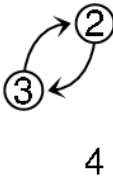
Bill Forbes, Craigievar Book 5

3C/4C longwise set.

SWISS LASSIE						8x32 R
	2 1 T_R1¹/₄			1 3 2 	3 2 T_R1¹/₂ RA	1 2 T_R1¹/₂ RA



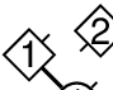
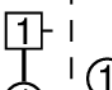



Rosi Betsche, RSCDS Book 39.1

3C/4C longwise set.

DOMINO 5				5x32 R
 <p>RA</p>	 <p>LA</p>	1 5 3 	4 5 2 	
				

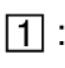

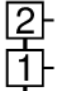

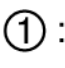


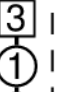
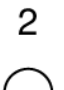


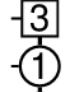
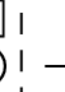
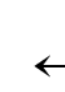

Derek Haynes, Carnforth 4, RSCDS Graded Book 2.11

5P/5P square set.

CADGERS IN THE CANONGATE						8x48 R
				1 2 S RA S LA		2 1 RL
		S	S	S	S	


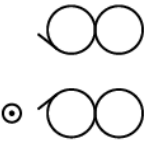
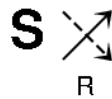
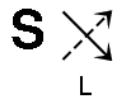
Walsh, 1748, RSCDS Book 9.10

3C/4C longwise set.

THE CRANBERRY TART						8x32 J
	S		S	T_◇		2 1 3 
	S		T_◇			
S						

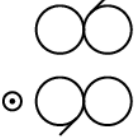

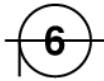

Terry Glasspool, 7 Year Itch

3C/4C longwise set

FAREWELL TO BALFOUR ROAD					
5 couples, 2C start on bar 17					96 J
1 2 	1 2 S & LINK	1 3 S & LINK	1 4 5 	S  R	1x S  L




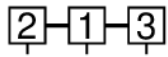
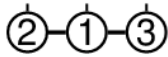
Andrew Buxton, 2015, RSCDS Book 52.7

5C/5C longwise set.

MAJOR IAN STEWART					8x32 J
1 2 T_R¹₂ RA	2 1 T_R	2 1 3 	Hello-Goodbye S S S T 	2 1 3  6 slip steps Cross R foot over L & pivot	3x 1x 2x  Chase to 2 1 3

John Drewry, 1986, RSCDS Book 35.4

3C/4C longwise set.

WOO'D AND MARRIED AND A'					8x32 J
	1 2 3 PROM	1 2 P	 S₂ 	 S₂ 	

Wilson, 1816, RSCDS Book 16.12

3C/4C longwise set.

MacDONALD OF THE ISLES					3x32 S
		Snowball Chain 			3 2x RL
X_R	X_L	X_R	X_R	X_L	X_L
①	②	①-②	①-③	②-③	①-③

Derek Haynes, 1966, Carnforth Collection 2, www.dancearchives.co.uk

3C/3C longwise set.

GANG THE SAME GATE					8x32 S
X_R 2	X_R 1	S_↑ T_B		3 3 ① S_↑ ① 2 2	
S	S	T_B	S	S	S
③-①-②	③-①-②	③-①-②	②-①-③	③-①-②	③-①-②
③-①-②	③-①-②	③-①-②	②-①-③	③-①-②	③-①-②

Milton Levy, RSCDS Book 36.4

3C/4C longwise set.